

HMI POSYC 321X

Industrial Panel PC

Description

POSYC 321X is an industrial panel PC based on Intel x86 dual core architecture and equipped with a 7" 18bits colour display and high reliable touch screen, designed to facilitate human machine interface (HMI) in industrial environments.



Smittec S.p.A.

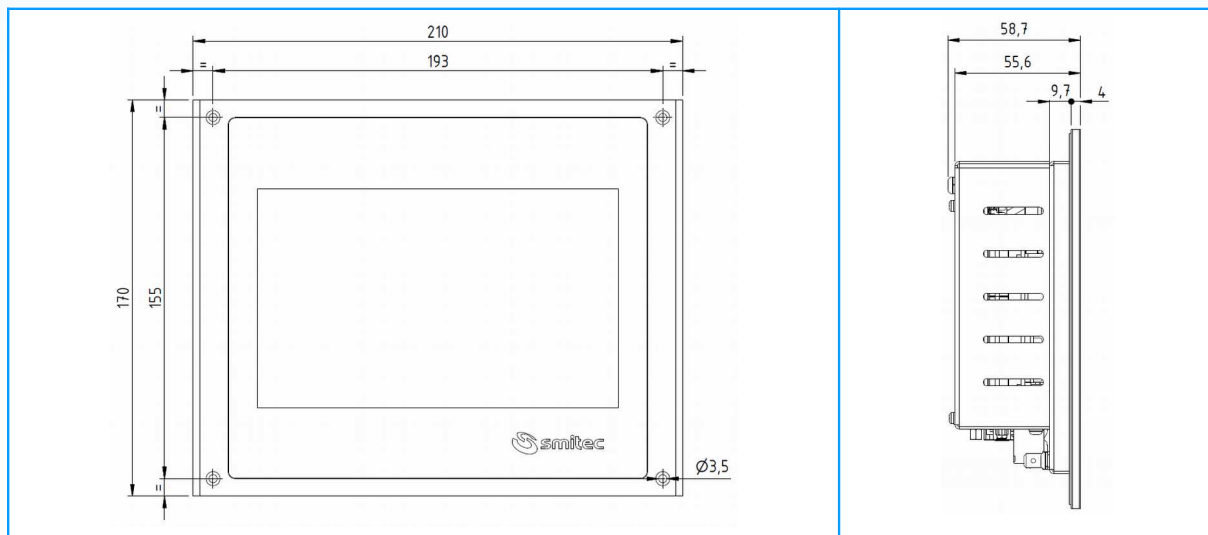
Via V. Veneto, 4 - 24016 San Pellegrino Terme (BG) ITALY
Tel. +39 0345 40.111 - Fax: +39 0345 40.809 - www.smittec.it

Head office:

Via C. Ceresa, 10 - 24015 San Giovanni Bianco (BG) ITALY
C.F. e P. IVA IT03790400166

| Technical data | |
|------------------------------|---|
| Architecture | x86 |
| Available OS | MS Windows / Linux Suse |
| Housing material | Aluminum - Steel |
| Degree of protection | IP65 on front panel |
| Processor | Intel® Atom™ Dual Core D2550 (1.86GHz) |
| Memory | 2GB DDR3 1066MHz RAM |
| Display | 7" TFT, 800x480, 262K colours, LED |
| Touch screen | 4 wires - 1 million touches at one point |
| Connections | 2 x USB 2 x Gigabit LAN 1 x VGA 1 x COM RS232/422/485 1 x HDMI 1 x audio out 1 x CFast slot |
| Electrical specifications | Power supply: 24V _{DC} |
| Environmental specifications | Operating temperature: from +0°C to +55°C Storage temperature: from -20°C to +60°C Relative humidity: from 0% to 90% (non-condensing) |

Dimensions



Data here mentioned are subject to changes without any notice.