

CPL ST

FLXMOD

SERCOS III and Modbus TCP coupler module

Description

FLXMOD™ system SERCOSIII and Modbus TCP coupler. This unit, designed for mounting on a standard DIN rail and housed in a compact plastic case, allows the interfacing of up to three FLXMOD™ systems to SERCOS III or Modbus TCP fieldbus.



Smitec S.p.A.

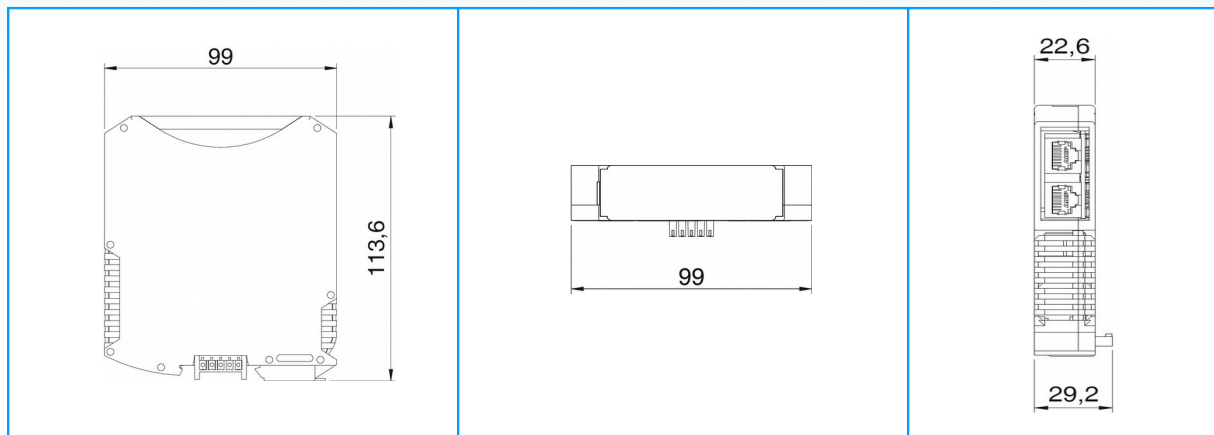
Via V. Veneto, 4 - 24016 San Pellegrino Terme (BG) ITALY
Tel. +39 0345 40.111 - Fax: +39 0345 40.809 - www.smitec.it

Head office:

Via C. Ceresa, 10 - 24015 San Giovanni Bianco (BG) ITALY
C.F. e P. IVA IT03790400166

Technical data	
Housing material	Polypropylene
Degree of protection	IP20
Fieldbus interface	SERCOS III or Modbus TCP (Ethernet based)
Fieldbus transmission speed	100 Mbps
Number of FLXIO™ ports	3 (one local bus and two expansion buses)
FLXIO™ transmission speed	2.5 Mbps on local bus 1.25 Mbps on expansion buses
Max. number of slaves	45 (15 for each FLXIO™ branch)
Fieldbus address setting	By two rotary switches on front panel
Other interfaces	USB type B port on front panel for programming and debug
Electrical specifications	Logic supply: 24V _{DC} and 5V _{DC} from backplane
Environmental specifications	Operating temperature: from +5°C to +55°C Storage temperature: from -25°C to +85°C Relative humidity: from 10% to 95% (non-condensing)

Dimensions



Data here mentioned are subject to changes without any notice.